



## MF1608HP SERIES – Multilayer Ceramic Chip Inductors

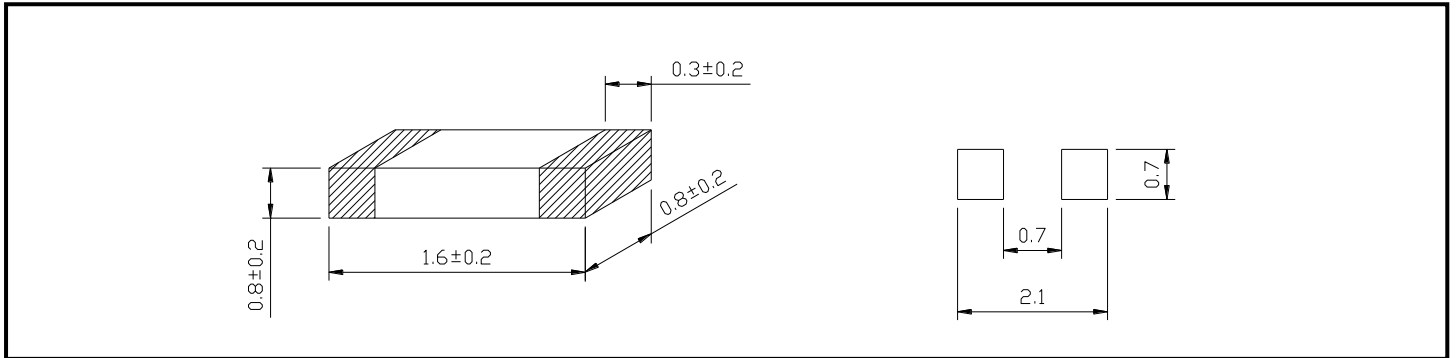


### PART NUMBERING SYSTEM

<b>MF</b>	<b>1608HP</b>	—	<b>3N3S</b>	—	<b>LF</b>
TYPE	DIMENSIONS		INDUCTANCE		LEAD FREE

### SHAPES AND DIMENSIONS

UNIT : mm



### FEATURES

1. Provides high Q characteristics .
2. Supports operating frequency bands of up to 10GHZ .
3. Excellent solder ability and high heat resistance for either flow or reflow soldering .
4. Size : 0603 type , Compact low profile Multilayer Ceramic Chip Inductors – only 1.00 mm thickness Max.
5. RoHS-compliant.

### APPLICATION

1. Mobile phones .
2. Portable phones .
3. Cordless phones .
4. Pagers and personal handy-phone systems ( PHS ) .



## MF1608HP SERIES – Multilayer Ceramic Chip Inductors



### SPECIFICATION TABLE

PART NUMBER	INDUCTANCE (nH) 100MHz	Q TYPICAL	SRF (MHz) MIN.	DCR (Ω) (max)	IDC (mA) (max)
		100 MHz			
MF1608HP-1N0S-LF	1.0	8	10000	0.1	600
MF1608HP-1N2S-LF	1.2	8	10000	0.1	600
MF1608HP-1N5S-LF	1.5	8	6000	0.1	600
MF1608HP-1N8S-LF	1.8	8	6000	0.1	600
MF1608HP-2N2S-LF	2.2	8	6000	0.1	600
MF1608HP-2N7S-LF	2.7	10	6000	0.1	600
MF1608HP-3N3S-LF	3.3	10	6000	0.12	600
MF1608HP-3N9S-LF	3.9	10	6000	0.14	600
MF1608HP-4N7S-LF	4.7	10	4000	0.16	300
MF1608HP-5N6S-LF	5.6	10	4000	0.18	600
MF1608HP-6N8J-LF	6.8	10	4000	0.22	600
MF1608HP-8N2J-LF	8.2	10	3500	0.24	600
MF1608HP-10NJ-LF	10.0	12	3400	0.26	600
MF1608HP-12NJ-LF	12.0	12	2600	0.28	600
MF1608HP-15NJ-LF	15.0	12	2300	0.32	600
MF1608HP-18NJ-LF	18.0	12	2000	0.35	600
MF1608HP-22NJ-LF	22.0	12	1600	0.35	600
MF1608HP-27NJ-LF	27.0	12	1400	0.45	500
MF1608HP-33NJ-LF	33.0	12	1200	0.55	400
MF1608HP-39NJ-LF	39.0	12	1100	0.60	400
MF1608HP-47NJ-LF	47.0	12	900	0.70	400
MF1608HP-56NJ-LF	56.0	12	900	0.75	400
MF1608HP-68NJ-LF	68.0	12	700	0.85	400
MF1608HP-82NJ-LF	82.0	12	600	1.00	300

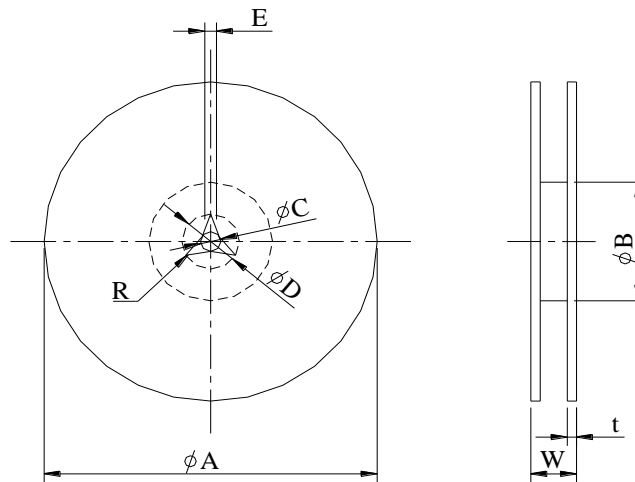
INDUCTANCE TOLERANCE (J : ±5%, S : ±0.3nH)



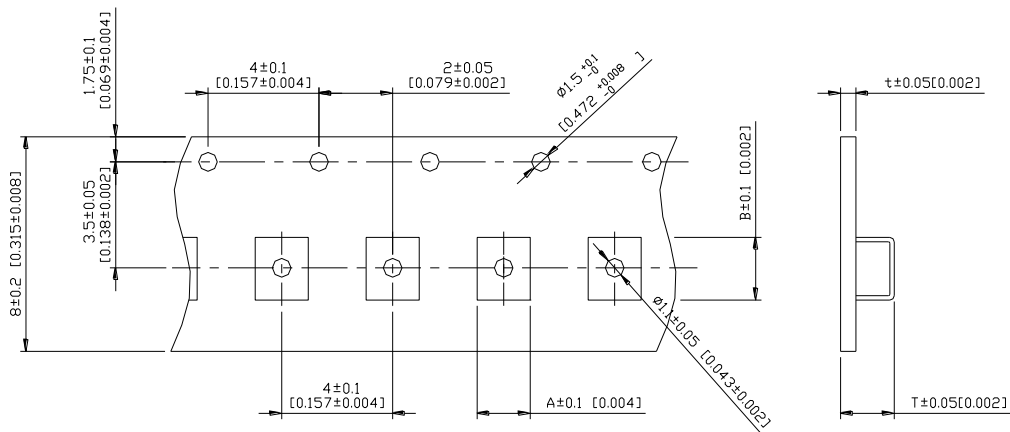
## MF1608HP SERIES – Multilayer Ceramic Chip Inductors



### PACKAGING SPECIFICATION



REEL	A	B	C	D	E	W8	W12	t	R
T(ψ178mm)	ψ178±2	ψ60±1	ψ13±0.8	ψ21±0.8	2	10±1.5	14.5±1.5	1.27±0.2	1



TYPE	A	B	T	t	T(ψ178mm)	T(ψ330mm)
MF1608HP	1.10	1.90	1.10	0.2	4000 pcs/reel	-